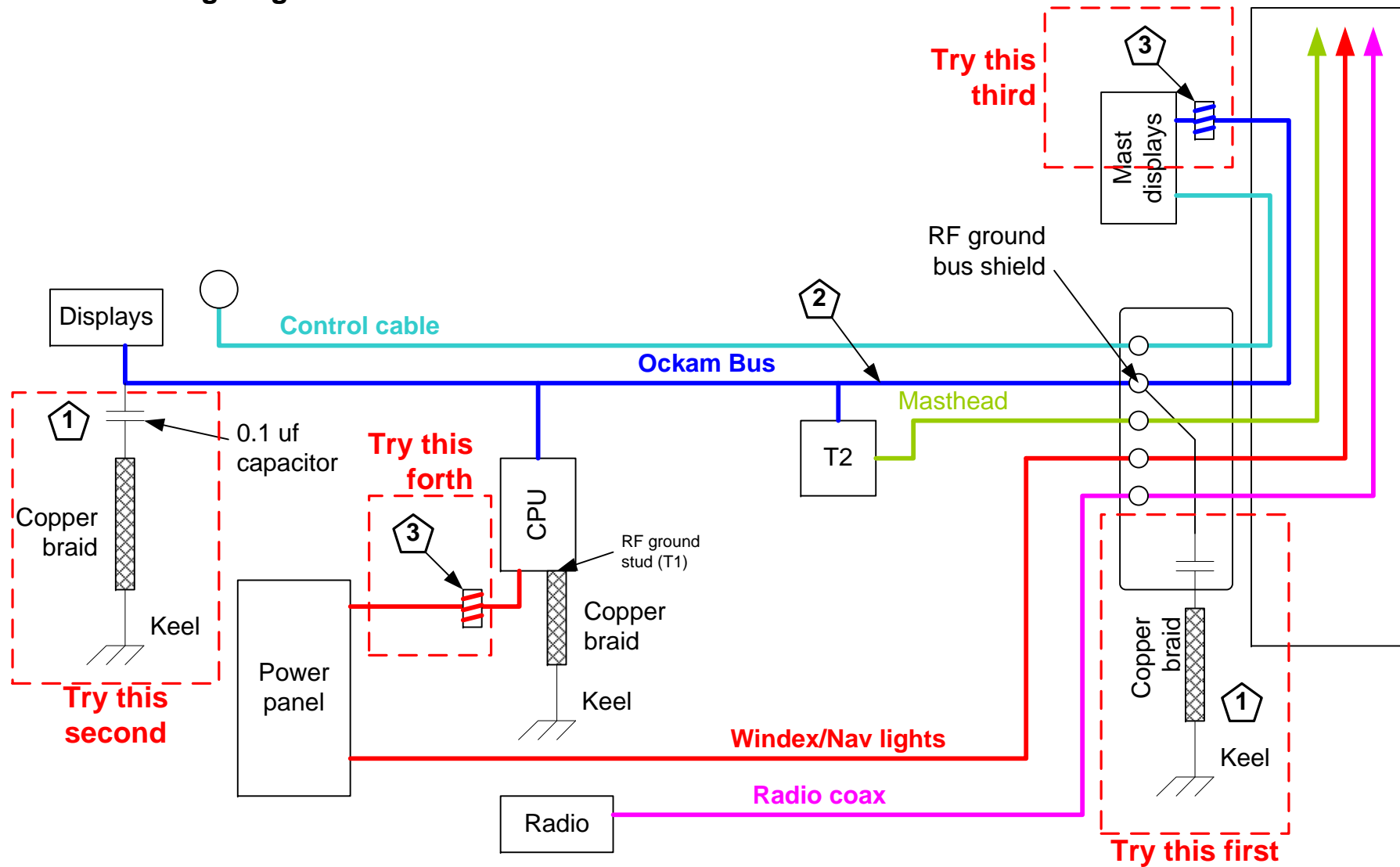


Hints for mitigating RF interference



1. RF ground the extremities of the Ockam bus to the keel/hull/rigging.
2. Don't run Ockam bus near radio cable
3. Wrap cable 2/3 turns thru ferrite ring