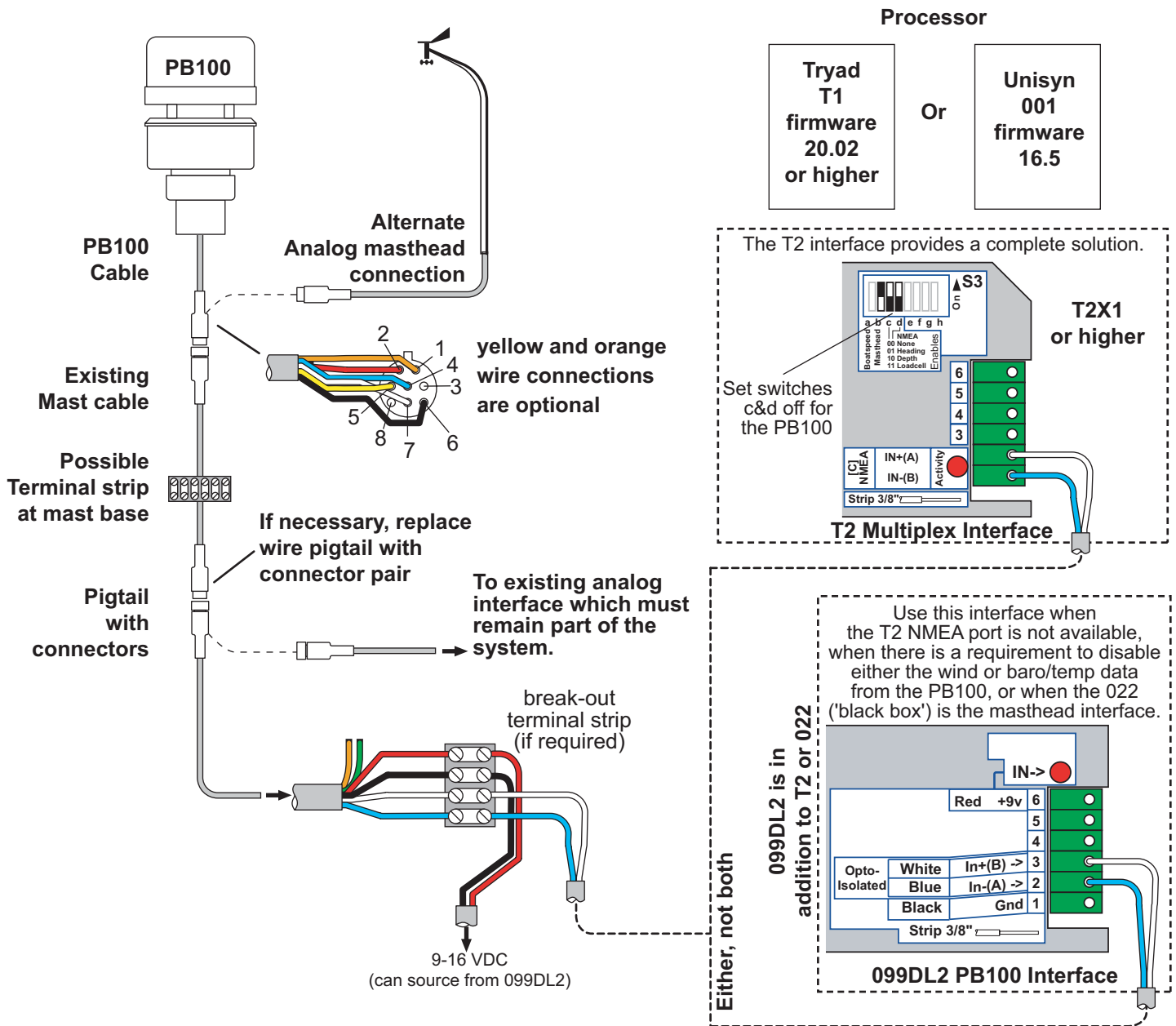
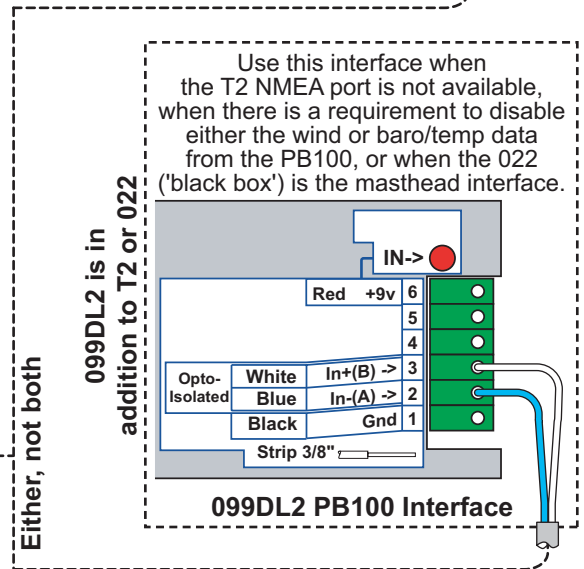
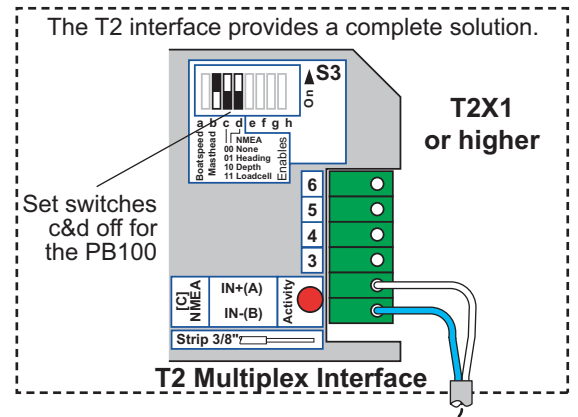
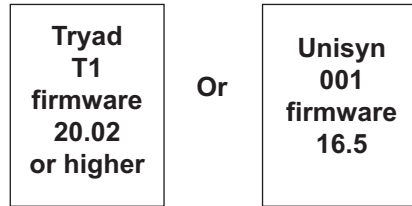


How to connect the Airmar PB100 sonic masthead to an Ockam System, using the existing mast cable



Processor



Either, not both

