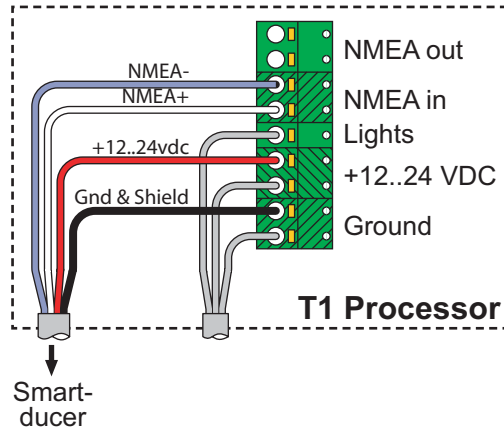
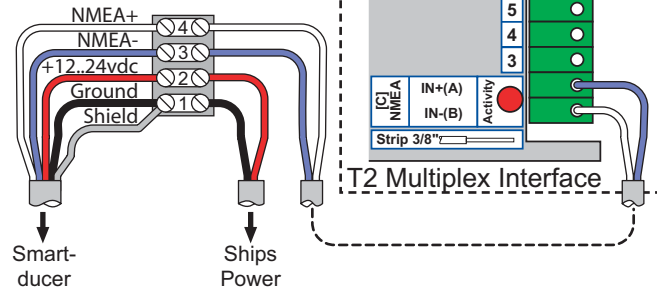


How to hook an Airmar 44-036 Smart depth/temperature sensor to an Ockam System



Note: Works best when:
Smartducer(+) -> Ockam In(-)
Smartducer(-) -> Ockam In(+)



Note: Works best when:
Smartducer(+) -> Ockam In(-)
Smartducer(-) -> Ockam In(+)

